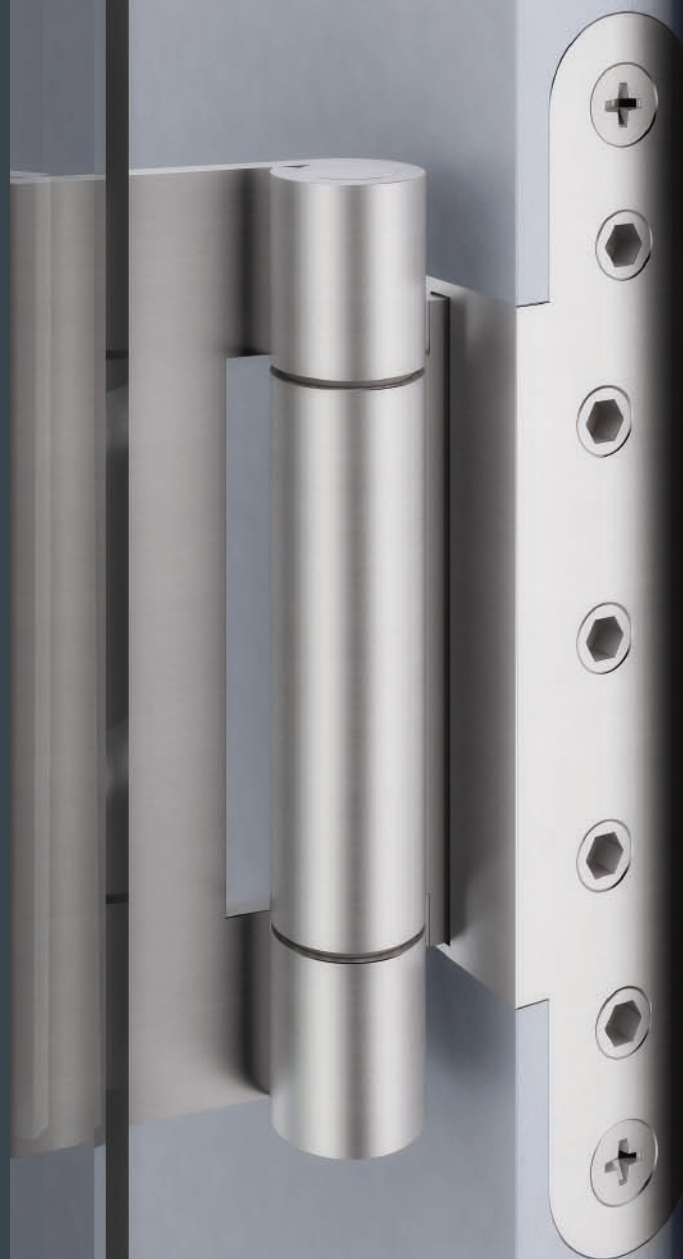




**SIMONSWERK**  
VARIANT® VG

The hinge system for  
glass doors

<b>VG 3990 K</b>	rebated	up to 60 kg	<b>4</b>
<b>VG 4790 K</b>	rebated	up to 60 kg	<b>5</b>
<b>VG 8790 K</b>	rebated	up to 60 kg	<b>6</b>
<b>VNG 7990/100 K</b>	rebated	up to 60 kg	<b>7</b>
<b>VXG 7990/100 K</b>	rebated	up to 60 kg	<b>8</b>
<b>VNG 7990/120 K</b>	rebated	up to 80 kg	<b>9</b>
<b>VXG 7990/120 K</b>	rebated	up to 80 kg	<b>10</b>
<b>VNG 7780/100</b>	unrebated	up to 60 kg	<b>11</b>
<b>VNG 7780/100 K</b>	unrebated	up to 60 kg	<b>12</b>
<b>VNG 7780/120</b>	unrebated	up to 80 kg	<b>13</b>
<b>VXG 7780/120 K</b>	unrebated	up to 80 kg	<b>14</b>
<b>VG 4400 UF</b>	Retrofit	40kg	<b>15</b>
<b>VG 4400 UB</b>	Retrofit	40kg	<b>16</b>
<b>VG 8000 U</b>	Retrofit	40kg	<b>17</b>
<b>Drilling jigs</b>			<b>18</b>
<b>Dimension sheets</b>			<b>19</b>



**»VARIANT VG« – Quite clear: The hinge system for glass doors**

Glass doors provide greater insight, better perspective and genuine rays of light within modern interior decor and design. That's why they are becoming increasingly popular in both the heavy duty and domestic sector. With the VARIANT VG product series, SIMONSWERK has a hinge system that has been specifically developed for this application area, meeting the requirements for quality, security and performance for glass door systems.

VARIANT VG hinges offer the right hinge system with the appropriate look to suit every taste. Available in a variety of versions, you can find a perfect match to suit the appearance of the respective glass door and handle set. From the universal VARIANT VG hinge for domestic doors through to the VARIANT VXG and VARIANT VNG product series, the appropriate hinge system is available for each intended application and load requirement.

VARIANT VG offers the right solutions for glass doors incorporating the high-performance features that are characteristic of the VARIANT brand.

**SIMONSWERK**  
 VARIANT® VG

**VG 3990 K**

for glass doors with rebated casing and block frames

 rebated up to 60 kg
**Technical data**

Load capacity	60.0 kg
Knuckle length	95.0 mm
Knuckle diameter	18.0 mm
Material thickness	3.5 mm

**Descriptive text**

SIMONSWERK VARIANT heavy-duty hinge VG 3990 K for glass doors with rebated casing and block frames in square-edged design for SIMONSWERK VARIANT V receivers. Designed for glass doors with vertical standard hole pattern, for glass thicknesses of 8 and 10 mm. Load capacity 60 kg, knuckle length 95 mm, knuckle diameter 18 mm. Torsion-proof pin, concealed, maintenance-free axial-radial slide bearings. Finish...

**Combination**

Receiver	Block frame	Clamping block series V 36.. Clamp V 3605
	Casing frame	Hinge pocket series V 36..

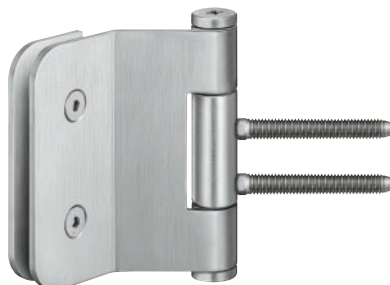
 Detailed information at [www.simonswerk.com](http://www.simonswerk.com)
**Finishes**

satin chrome look (F1), satin stainless steel

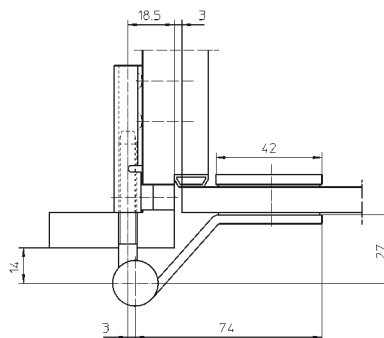
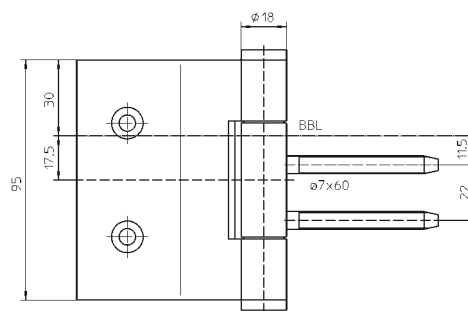
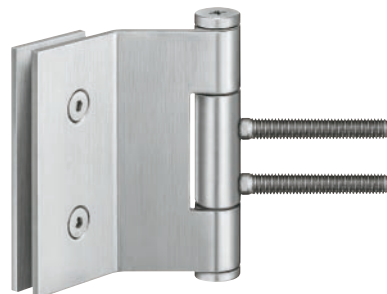
**Note**

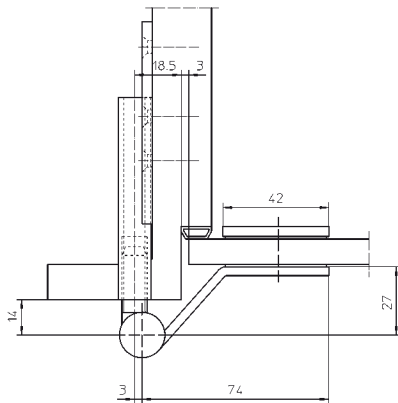
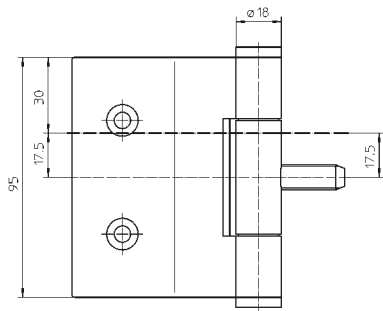
We recommend the additional installation of reinforcement plates V 3610 or V 3690 on casing frames.

Observe DIN direction.

**Model type**


VG 3990, rounded corners





## VG 4790 K

for glass doors with rebated casing frames

rebated		up to 60 kg
---------	--	-------------

### Technical data

Load capacity	60.0 kg
Knuckle length	95.0 mm
Knuckle diameter	18.0 mm
Material thickness	3.5 mm

### Descriptive text

SIMONSWERK VARIANT heavy-duty hinge VG 4790 K for glass doors with rebated casing frames in square-edged design for SIMONSWERK VARIANT V 4600 receivers. Designed for glass doors with vertical standard hole pattern, for glass thicknesses of 8 and 10 mm. Load capacity 60 kg, knuckle length 95 mm, knuckle diameter 18 mm. right hand and left hand applicable Torsion-proof pin, concealed, maintenance-free, generously dimensioned axial-radial slide bearings. Finish...

### Combination

Receiver	V 4600
----------	--------

Detailed information at [www.simonswerk.com](http://www.simonswerk.com)

### Finishes

satín chrome look (F1), satín stainless steel

### Model type



VG 4790, rounded corners

**SIMONSWERK**  
 VARIANT® VG

**VG 8790 K**

for glass doors with rebated steel frames

 rebated up to 60 kg
**Technical data**

Load capacity	60.0 kg
Knuckle length	95.0 mm
Knuckle diameter	18.0 mm
Material thickness	3.5 mm

**Descriptive text**

SIMONSWERK VARIANT heavy-duty hinge VG 8790 K for glass doors with rebated steel frames in square-edged design for SIMONSWERK VARIANT V 8600 and V 8610 receivers. Designed for glass doors with vertical standard hole pattern, for glass thicknesses of 8 and 10 mm. Load capacity 60 kg, knuckle length 95 mm, knuckle diameter 18 mm, right hand and left hand applicable. Torsion-proof pin, concealed, maintenance-free axial-radial slide bearings. Finish...

**Combination**

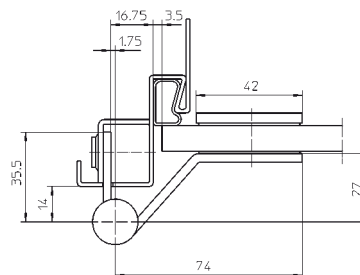
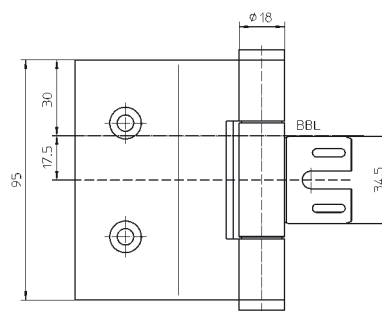
Receiver	Back weld pocket V 8600 V 8610
----------	-----------------------------------

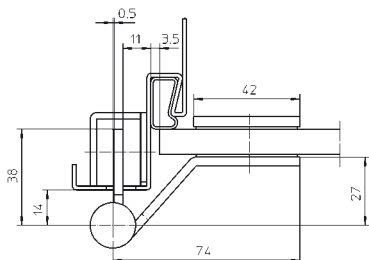
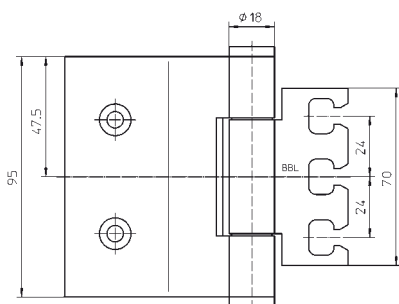
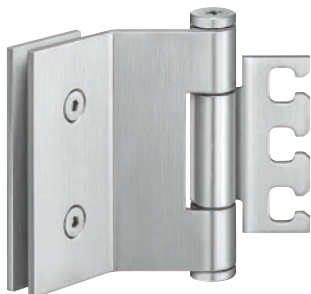
 Detailed information at [www.simonswerk.com](http://www.simonswerk.com)
**Finishes**

satin chrome look (F1), satin stainless steel

**Model type**


VG 8790, rounded corners





## VNG 7990/100 K

for glass doors with rebated steel frames

rebated

up to 60 kg

### Technical data

Load capacity	60.0 kg
Knuckle length	95.0 mm
Knuckle diameter	18.0 mm
Material thickness	3.5 mm

### Descriptive text

SIMONSWERK VARIANT heavy duty hinge VNG 7990/100 K for glass doors with rebated steel frames in square-edged design with three-dimensionally adjustable SIMONSWERK receiver VARIANT VN 7608/120 3D. Designed for glass doors with vertical standard drill pattern, for glass thicknesses of 8 and 10 mm. Load capacity 60 kg, knuckle length 95 mm, knuckle diameter 18 mm, right hand and left hand applicable. Torsion-proof pin, concealed, maintenance-free axial-radial slide bearings. Finish...

### Combination

Receiver VN 7608/120 3D

Detailed information at [www.simonswerk.com](http://www.simonswerk.com)

### Finishes

satin chrome look (F1), satin stainless steel

### Model type



VG 7990/100, rounded corners

**SIMONSWERK**  
 VARIANT® VG

**VXG 7990/100 K**

for glass doors with rebated wooden, steel or aluminium frames

 rebated up to 60 kg
**Technical data**

Load capacity	60.0 kg
Knuckle length	95.0 mm
Knuckle diameter	20.0 mm
Material thickness	3.5 mm

**Descriptive text**

SIMONSWERK VARIANT heavy duty hinge VXG 7990/100 K for glass doors with rebated timber, steel or aluminium frames with square-edged design for three-dimensionally adjustable SIMONSWERK receivers VARIANT VX. Designed for glass doors with vertical standard drill pattern, for glass thicknesses of 8 and 10 mm. Load capacity 60 kg, knuckle length 95 mm, knuckle diameter 20 mm, right hand and left hand applicable. Internal torsion-proof pin, concealed, maintenance-free, generously dimensioned axial-radial slide bearings. Finish...

**Combination**

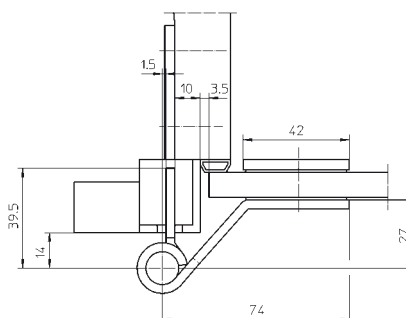
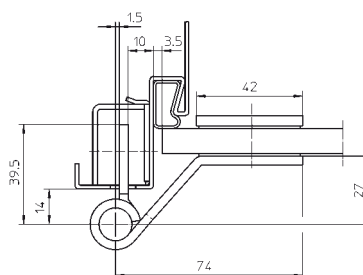
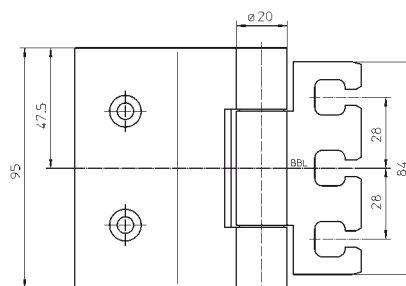
Receiver	Block frame	VX 2501 3D
		VX 7501 3D
Casing frame		VX 2502 3D
		VX 7502 3D
Blind frame		VX 2505 3D
		VX 7505 3D
Steel frame		VX 7611 3D
		VX 7612 3D
Aluminium frame		VX 7521 3D

 Detailed information at [www.simonswerk.com](http://www.simonswerk.com)
**Finishes**

satin chrome look (F1), satin stainless steel

**Model type**


VXG 7990/100 N, rounded corners







## VNG 7990/120 K

for glass doors with rebated steel frames

rebated		up to 80 kg
---------	--	-------------

### Technical data

Load capacity	80.0 kg
Knuckle length	120.0 mm
Knuckle diameter	20.0 mm
Material thickness	3.5 mm

### Descriptive text

SIMONSWERK VARIANT heavy duty hinge VNG 7990/120 K for glass doors with rebated steel frames in square-edged design with three-dimensionally adjustable SIMONSWERK receiver VARIANT VN 7608/120 3D. Designed for glass doors with vertical standard drill pattern, for glass thicknesses of 8 and 10 mm. Load capacity 80 kg, knuckle length 120 mm, knuckle diameter 20 mm, right hand and left hand applicable. Internal torsion-proof pin, concealed, maintenance-free, generously dimensioned axial-radial slide bearings. Finish...

### Combination

Receiver	VN 7608/120 3D
----------	----------------

Detailed information at [www.simonswerk.com](http://www.simonswerk.com)

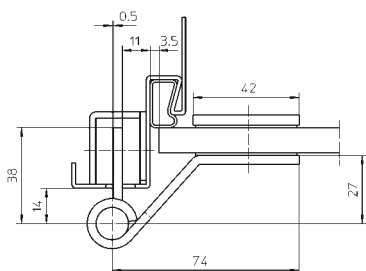
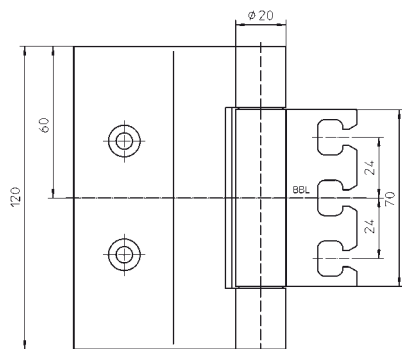
### Finishes

satín chrome look (F1), satín stainless steel

### Model type



VG 7990/120, rounded corners



**SIMONSWERK**  
**VARIANT® VG**
**VXG 7990/120 K**

for glass doors with rebated wooden, steel or aluminium frames

 rebated up to 80 kg
**Technical data**

Load capacity	80.0 kg
Knuckle length	120.0 mm
Knuckle diameter	20.0 mm
Material thickness	3.5 mm

**Descriptive text**

SIMONSWERK VARIANT heavy duty hinge VXG 7990/120 K for glass doors with rebated timber, steel or aluminium frames with square-edged design for three-dimensionally adjustable SIMONSWERK receivers VARIANT VX. Designed for glass doors with vertical standard drill pattern, for glass thicknesses of 8 and 10 mm. Load capacity 80 kg, knuckle length 120 mm, knuckle diameter 20 mm, right hand and left hand applicable. Internal torsion-proof pin, concealed, maintenance-free, generously dimensioned axial-radial slide bearings. Finish...

**Combination**

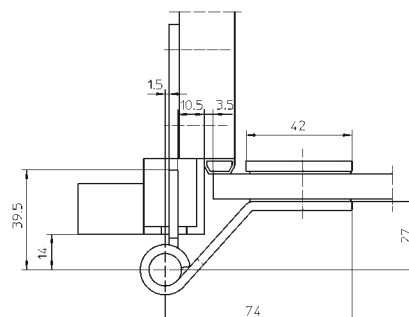
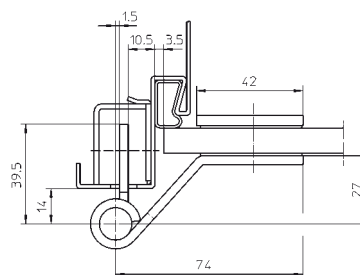
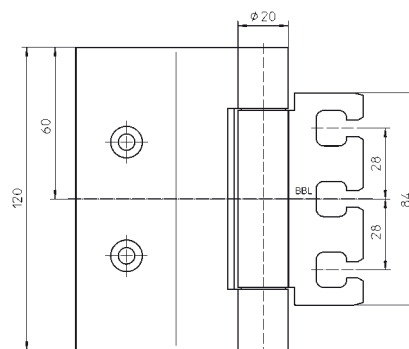
Receiver	Block frame	VX 2501 3D
		VX 7501 3D
	Casing frame	VX 2502 3D
		VX 7502 3D
	Blind frame	VX 2505 3D
		VX 7505 3D
	Steel frame	VX 7611 3D
		VX 7612 3D
	Aluminium frame	VX 7521 3D

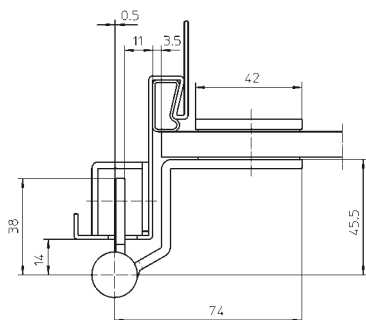
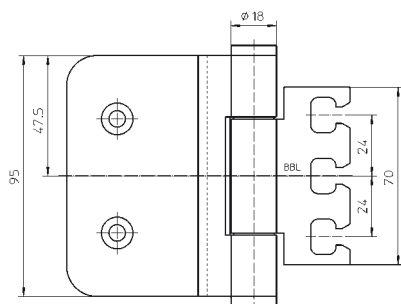
 Detailed information at [www.simonswerk.com](http://www.simonswerk.com)
**Finishes**

satin chrome look (F1), satin stainless steel

**Model type**


VXG 7990/120, rounded corners





## VNG 7780/100

for glass doors with unrebated steel frames

unrebated

up to 60 kg

### Technical data

Load capacity	60.0 kg
Knuckle length	95.0 mm
Knuckle diameter	18.0 mm
Material thickness	3.5 mm

### Descriptive text

SIMONSWERK VARIANT heavy duty hinge VNG 7780/100 for glass doors with unrebated steel frames for three-dimensionally adjustable SIMONSWERK receiver VARIANT VN 7608/120 3D. Designed for glass doors with vertical standard hole pattern, for glass thicknesses of 8 and 10 mm. Load capacity 60 kg, knuckle length 95 mm, knuckle diameter 18 mm, right hand and left hand applicable. Torsion-proof pin, concealed, maintenance-free axial-radial slide bearings. Finish...

### Combination

Receiver	VN 7608/120 3D
----------	----------------

Detailed information at [www.simonswerk.com](http://www.simonswerk.com)

### Finishes

satín stainless steel

**SIMONSWERK**  
**VARIANT® VG**
**VXG 7780/100 K**

for glass doors with unrebated wooden, steel or aluminium frames

**unrebated**
**up to 60 kg**
**Technical data**

Load capacity	60.0 kg
Knuckle length	95.0 mm
Knuckle diameter	20.0 mm
Material thickness	3.5 mm

**Descriptive text**

SIMONSWERK VARIANT heavy duty hinge VXG 7780/100 K for glass doors with unrebated timber, steel or aluminium frames with square-edged design for three-dimensionally adjustable SIMONSWERK receivers VARIANT VX. Designed for glass doors with vertical standard drill pattern, for glass thicknesses of 8 and 10 mm. Load capacity 60 kg, knuckle length 95 mm, knuckle diameter 20 mm, right hand and left hand applicable. Internal torsion-proof pin, concealed, maintenance-free, generously dimensioned axial-radial slide bearings. Finish...

**Combination**

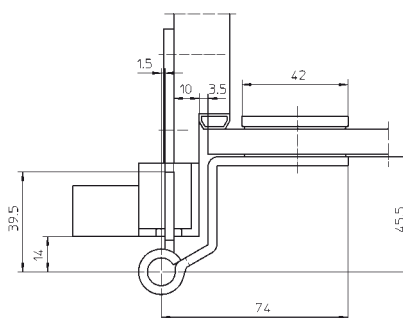
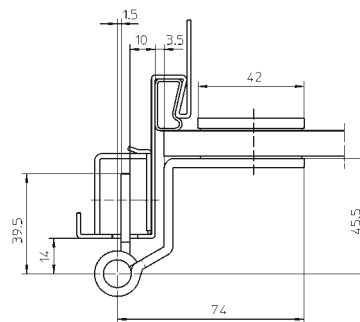
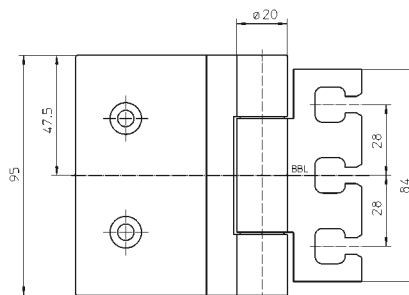
Receiver	Block frame	VX 2501 3D
		VX 7501 3D
Casing frame		VX 2502 3D
		VX 7502 3D
Blind frame		VX 2505 3D
		VX 7505 3D
Steel frame		VX 7611 3D
		VX 7612 3D
Aluminium frame		VX 7521 3D

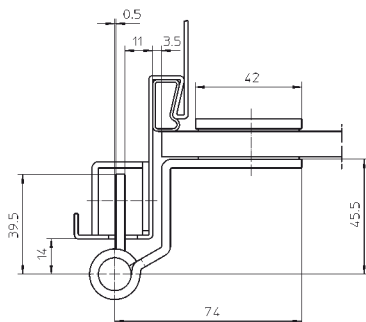
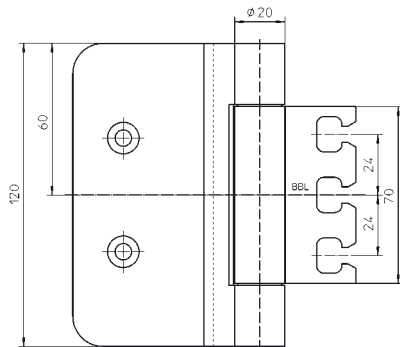
 Detailed information at [www.simonswerk.com](http://www.simonswerk.com)
**Finishes**

satin stainless steel

**Model type**


VXG 7780/100 N, rounded corners





## VNG 7780/120

for glass doors with unrebated steel frames

up to 80 kg

### Technical data

Load capacity	80.0 kg
Knuckle length	120.0 mm
Knuckle diameter	20.0 mm
Material thickness	3.5 mm

### Descriptive text

SIMONSWERK VARIANT heavy duty hinge VNG 7780/120 K for glass doors with rebated timber, steel or aluminium frames with square-edged design for three-dimensionally adjustable SIMONSWERK receivers VARIANT VX. Designed for glass doors with vertical standard drill pattern, for glass thicknesses of 8 and 10 mm. Load capacity 80 kg, knuckle length 120 mm, knuckle diameter 20 mm, right hand and left hand applicable. Internal torsion-proof pin, concealed, maintenance-free, generously dimensioned axial-radial slide bearings. Finish...

### Combination

Receiver	VN 7608/120 3D
----------	----------------

Detailed information at [www.simonswerk.com](http://www.simonswerk.com)

### Finishes

satín stainless steel

**SIMONSWERK**  
 VARIANT® VG

**VXG 7780/120 K**

for glass doors with unrebated wooden, steel or aluminium frames

**unrebated** **up to 80 kg**
**Technical data**

Load capacity	80.0 kg
Knuckle length	120.0 mm
Knuckle diameter	20.0 mm
Material thickness	3.5 mm

**Descriptive text**

SIMONSWERK VARIANT heavy duty hinge VXG 7780/120 K for glass doors with rebated timber, steel or aluminium frames with square-edged design for three-dimensionally adjustable SIMONSWERK receivers VARIANT VX. Designed for glass doors with vertical standard drill pattern, for glass thicknesses of 8 and 10 mm. Load capacity 80 kg, knuckle length 120 mm, knuckle diameter 20 mm, right hand and left hand applicable. Internal torsion-proof pin, concealed, maintenance-free, generously dimensioned axial-radial slide bearings. Finish...

**Combination**

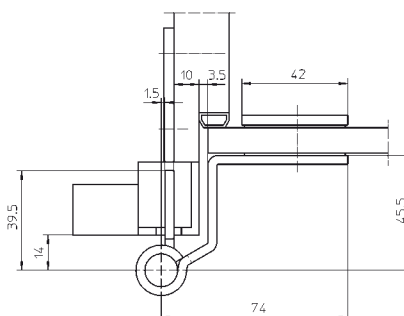
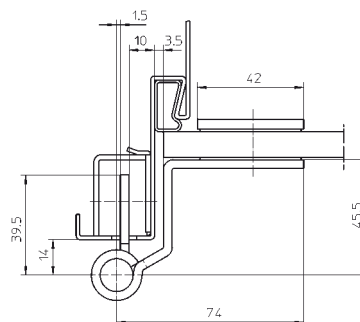
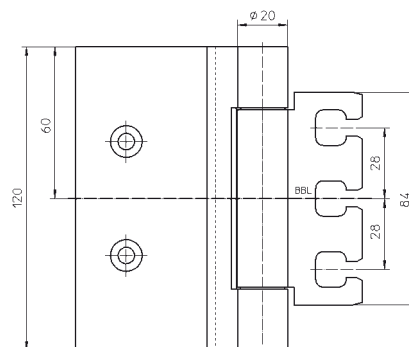
Receiver	Block frame	VX 2501 3D
		VX 7501 3D
Casing frame		VX 2502 3D
		VX 7502 3D
Blind frame		VX 2505 3D
		VX 7505 3D
Steel frame		VX 7611 3D
		VX 7612 3D
Aluminium frame		VX 7521 3D

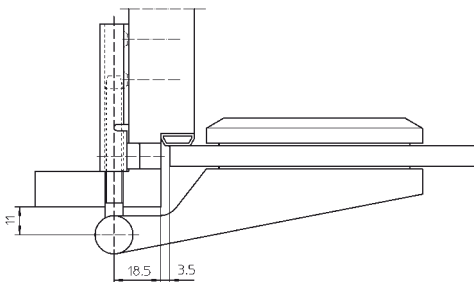
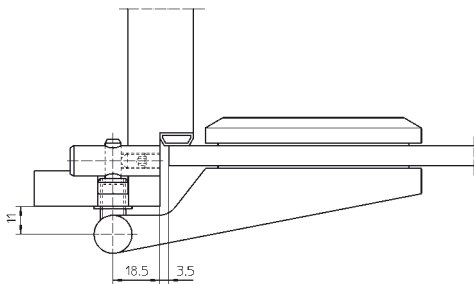
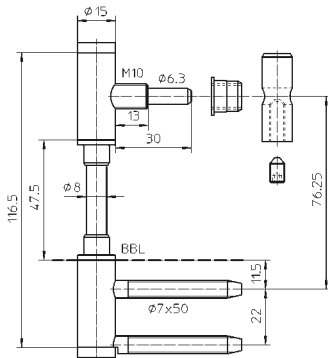
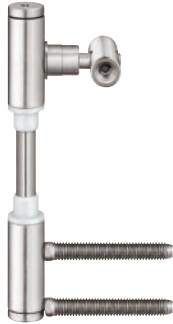
 Detailed information at [www.simonswerk.com](http://www.simonswerk.com)
**Finish**

satin stainless steel

**Model type**


VXG 7780/120, rounded corners





## VG 4400 UF

as a retrofit set for glass doors with casing frames

### Retrofit

up to 40 kg

### Technical data

Load capacity	40.0 kg
Knuckle length	120.0 mm
Knuckle diameter	15.0 mm

### Descriptive text

SIMONSWERK frame part VARIANT VG 4400 UF as retrofit set for glass doors with casing frames for SIMONSWERK hinge pocket series V 36... and clamping block V 3607. Even force distribution on the hinge axis is provided by the three-part design. Load capacity 40 kg, knuckle length 120 mm, knuckle diameter 15 mm, right hand and left hand applicable. Finish...

### Combination

Receiver	Hinge pocket series V 36.. Clamping block V 3607
----------	---

Detailed information at [www.simonswerk.com](http://www.simonswerk.com)

### To be fitted with

Jig	Drilling jig VARIANT VG 4400 UF
-----	---------------------------------

see page 18

### Finish

Galvanised

### Accessories



Decorative cap, plastic, no. 1



Decorative cap, light alloy, no. 4

**SIMONSWERK**  
**VARIANT® VG**
**VG 4400 UB**

as a retrofit set for glass doors with block frames

**Retrofit** **up to 40 kg**
**Technical data**

Load capacity	40.0 kg
Knuckle length	120.0 mm
Knuckle diameter	15.0 mm

**Descriptive text**

SIMONSWERK frame part VARIANT VG 4400 UB as retrofit set for glass doors with block frames for SIMONSWERK clamping block series V 36.. and clamp V 3605. Even force distribution on the hinge axis is provided by the three-part design. Load capacity 40 kg, knuckle length 120 mm, knuckle diameter 15 mm, right hand and left hand applicable. Finish...

**Combination**

Receiver	Clamping block series V 36.. Clamp V 3605
----------	--

 Detailed information at [www.simonswerk.com](http://www.simonswerk.com)
**To be fitted with**

Jig	Drilling jig VARIANT VG 4400 UB
-----	---------------------------------

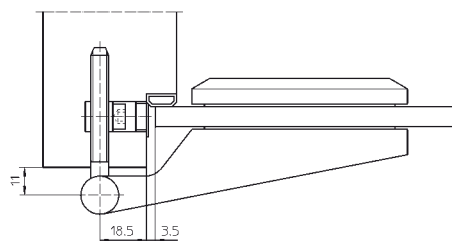
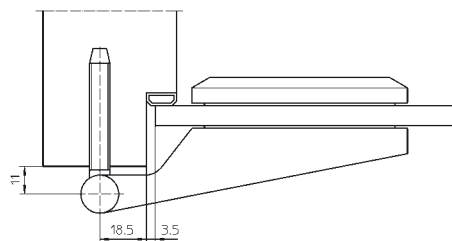
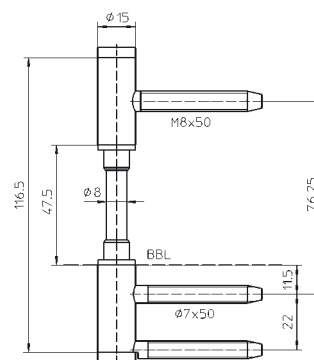
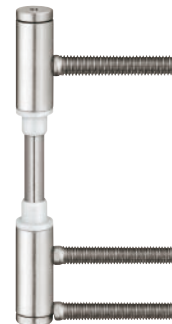
 see page 18

**Finish**

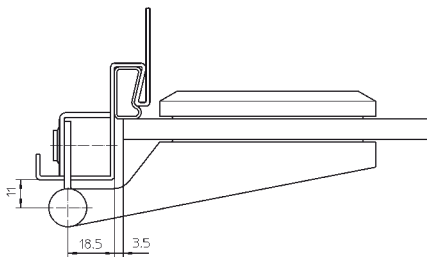
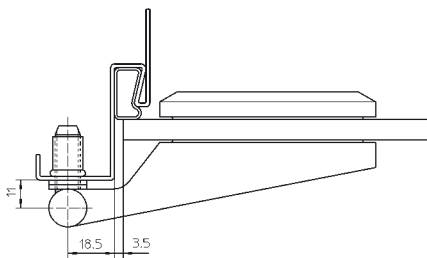
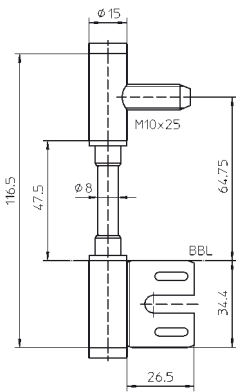
Galvanised

**Accessories**

 Decorative  
cap, plastic,  
no. 1

 Decorative  
cap, light  
alloy, no. 4






## VG 8000 U

as a retrofit set for glass doors with steel frames

<b>Retrofit</b>		<b>up to 40 kg</b>
-----------------	--	--------------------

### Technical data

Load capacity	40.0 kg
Knuckle length	120.0 mm
Knuckle diameter	15.0 mm

### Descriptive text

SIMONSWERK frame part VARIANT VG 8000 U as retrofit set for glass doors with steel frames for SIMONSWERK hinge pocket for steel frames VARIANT V 8600, V 8610 and blind rivet nut M10. Even force distribution on the hinge axis is provided by the three-part design. Load capacity 40 kg, knuckle length 120 mm, knuckle diameter 15 mm, right hand and left hand applicable. Finish...

### Combination

Receiver	Back weld pocket V 8600 V 8610 Blind rivet nut M10
----------	--

Detailed information at [www.simonswerk.com](http://www.simonswerk.com)

### To be fitted with

Jig	Drilling jig	VARIANT VG 8000 U
-----	--------------	-------------------

see page 18

### Finish

Galvanised

### Accessories



Decorative cap, plastic, no. 1



Decorative cap, light alloy, no. 4

**SIMONSWERK**  
 VARIANT® VG

## Drilling jig VG 4400 UF

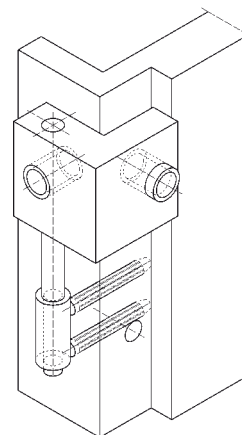
This drilling jig can be used to drill the holes for a second hinge receiver (rebate fastening) on an on-site casing frame with glass door.

**Usable for**

VG 4400 UF

**The complete jig comprises**

- 1 drilling jig
- 1 12 mm bit
- 1 fitting instruction



## Drilling jig VG 8000 U

This drilling jig can be used to drill the holes for a second hinge receiver (blind rivet nut) on an on-site steel frame with glass door.

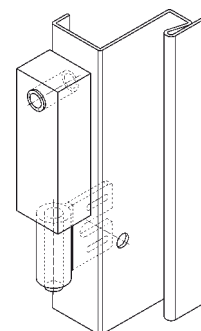
**Usable for**

VG 4400 UB

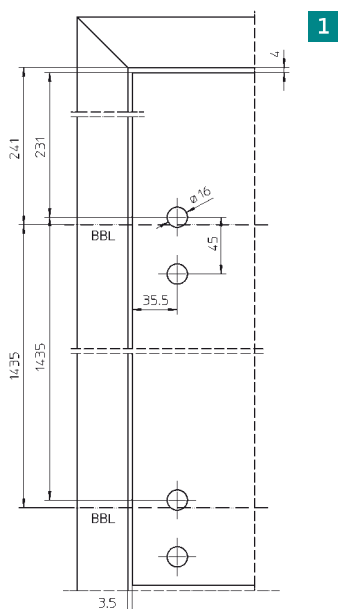
VG 8000 U

**The complete jig comprises**

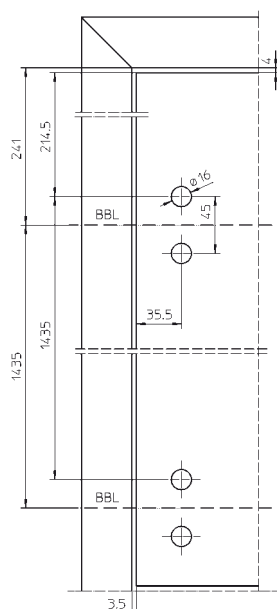
- 1 drilling jig
- 1 16.8 mm bit
- 1 12,1 mm bit
- 1 fitting instruction



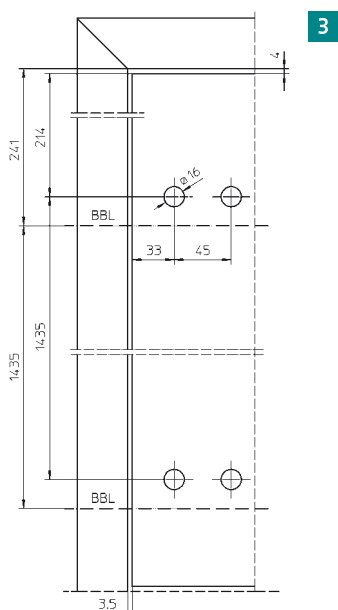
## HINGE REFERENCE LINE



1



2



3

## DIMENSION SHEETS

## VARIANT VG

## HEAVY DUTY DOOR / INTERIOR DOOR

Glass door hinge, 3-section, with receiver V 36..., V 4600, V 86...

1

Glass door hinge, 3-section, with receiver VN 7608/120 3D, VX 25..., VX 75..., VX 7611 3D

2

## FOR RETROFITTING

Retrofit hinges with receiver V 36..., V 86...

3

CONTAINS

**SIMONSWERK**  
VARIANT® VG

VG 3990	VNG 7990	VXG 7990	VG 4400 UF
VG 4790	VNG 7780	VXG 7780	VG 4400 UB
VG 8790			VG 8000 U

FURTHER BRANDS MADE BY SIMONSWERK

**SIMONSWERK**  
TECTUS®

**SIMONSWERK**  
VARIANT® VX

**SIMONSWERK**  
VARIANT® VN

**SIMONSWERK**  
VARIANT® V

**SIMONSWERK**  
BAKA®

**SIMONSWERK**  
SIKU®

**SIMONSWERK**  
ALPRO®

Brochure VARIANT® VG 

03/2012  
5 800274 0 00001/1.0

SIMONSWERK do not accept responsibility for misprints and subsequent specification changes although every effort has been made to avoid any errors during preparation of this brochure.

OUR PRODUCT INFORMATION SYSTEM  
[www.simonswerk.com](http://www.simonswerk.com)

**SIMONSWERK GmbH**  
Bosfelder Weg 5  
33378 Rheda-Wiedenbrück  
Germany

Fon +49 (0)5242 / 413-0  
Fax +49 (0)5242 / 413-260

sales@simonswerk.de  
www.simonswerk.com